



**INIC-1618
USB to SATA Bridge
Specification**

**Datasheet
Version 1.06
Dec. 22, 2010**

Revision History

Revision	Date	Comments
V1.00	11/12/2009	Initial Release
V1.01	12/22/2009	<ol style="list-style-type: none">1. Correct 3.3V to 1.2V LDO voltage value.2. Correct ROM and buffer size in block diagram.
V1.02	02/19/2010	<ol style="list-style-type: none">1. Support QFN 40pin2. Update DC characteristic
V1.03	06/04/2010	Remove Punch type package.
V1.04	07/02/2010	Correct pin description for P3.4, P1.7 and P1.3.
V1.05	12/7/2010	Correct block diagram.
V1.06	12/22/2010	Correct GPIO description

Table of Contents

1	Introduction.....	4
1.1	Feature Summary.....	4
1.2	Firmware/Software Support	5
1.3	Devices Support.....	5
2	INIC-1618 Block Diagram.....	6
3	Pin-Out Diagram	7
3.1	LQFP 48-Pin.....	7
3.2	QFN 40-Pin.....	8
4	Pin Signal Description:.....	9
4.1	48-Pin LQFP Package	9
4.1.1	USB Interface.....	9
4.1.2	SATA Interface (Analog pins).....	9
4.1.3	System Interface.....	9
4.1.4	NVRAM Interface	9
4.1.5	GPIO Interface	10
4.1.6	Power Regulator pins.....	10
4.1.7	Power/GND.....	10
4.2	40-Pin QFN Package	11
4.2.1	USB Interface.....	11
4.2.2	SATA Interface (Analog pins).....	11
4.2.3	System Interface.....	11
4.2.4	NVRAM Interface	11
4.2.5	GPIO Interface	12
4.2.6	Power Regulator pins.....	12
4.2.7	Power/GND.....	12
5	Electrical Information:	13
5.1	Absolute Maximum Ratings.....	13
5.2	Recommended Operating Conditions.....	13
5.3	General DC Characteristics	13
5.4	DC Electrical Characteristics for 3.3V Operation	13
5.5	DC Specification for LDO 5V to 3.3V Regulator	14
5.6	DC Electrical Specification for 3.3V to 1.2V Regulator.....	14
6	Power on Reset Timing Requirement.....	15
7	Crystal/Oscillator Specification	15
8	Packaging Specification	16

1 Introduction

The INIC-1618 provides an advanced solution to connect SATA devices to USB Host with integrated CPU and embedded SRAM/ROM. To provide high performance and cost effective solution, the INIC-1618 integrates USB-PHY, Mass Storage Class Bulk-Only USB function, SATA link/PHY core and microprocessor into a single ASIC. The INIC-1618 provides the data transfer rate of up to 60 MB/sec connecting to a 1.5G SATA interface.

1.1 Feature Summary

- Integrates USB2.0 PHY IP core.
- Data transfer rate of up to 60 MB/sec.
- Integrated internal Turbo 8051 uP with 16KB embedded ROM and 4KB SRAM.
- External NVRAM supported.
- Support HID.
- Up to 11 GPIO pins.
- Only one external crystal.
- Supports SATA (bridged SATA) Hard Disk drives, CD-RW devices, DVDs, Removable media devices, BD (Blu-Ray Disc) drive
- USB 1.1 and USB 2.0 compliant.
- USB Mass Storage Class Bulk-Only Transport Specification Compliant.
- SATA specification 1.0, SATA II Compliant (Hot Plug is supported).
- Support ATA/ATAPI device DMA and PIO mode.
- Support SATA BIST through USB and SATA bus
- 4k bytes of data buffer for data transfer.
- Support tri-state on SATA Tx/Rx ports
- On-Chip 3.3V to 1.2V regulator and 5V to 3.3V regulator.
- 48 pin LQFP or 40 pin QFN package

1.2 Firmware/Software Support

- USB Mass Storage Class Bulk-Only Transport support
- Provide software utilities for NVRAM upgraded.

1.3 Devices Support

- Hard disk drives
- CD-RW devices
- DVDs
- Removable media devices
- Blu-Ray Disk driver

2 INIC-1618 Block Diagram

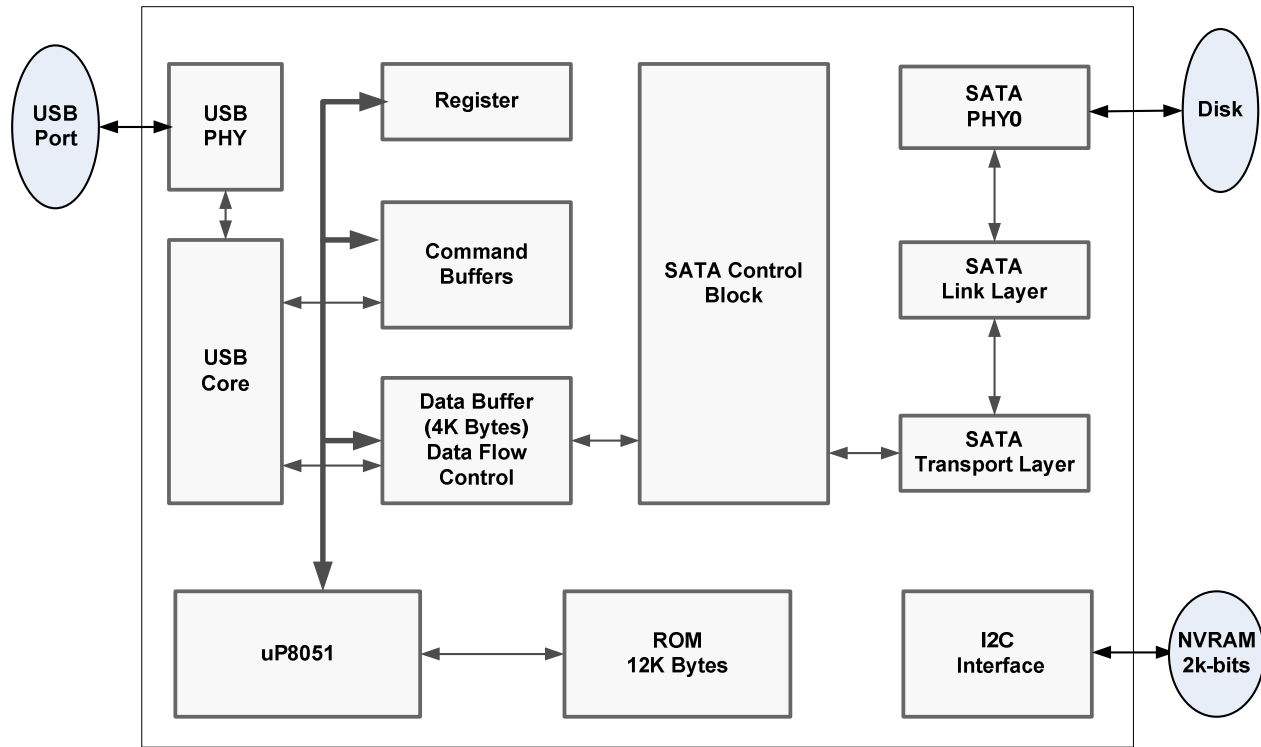
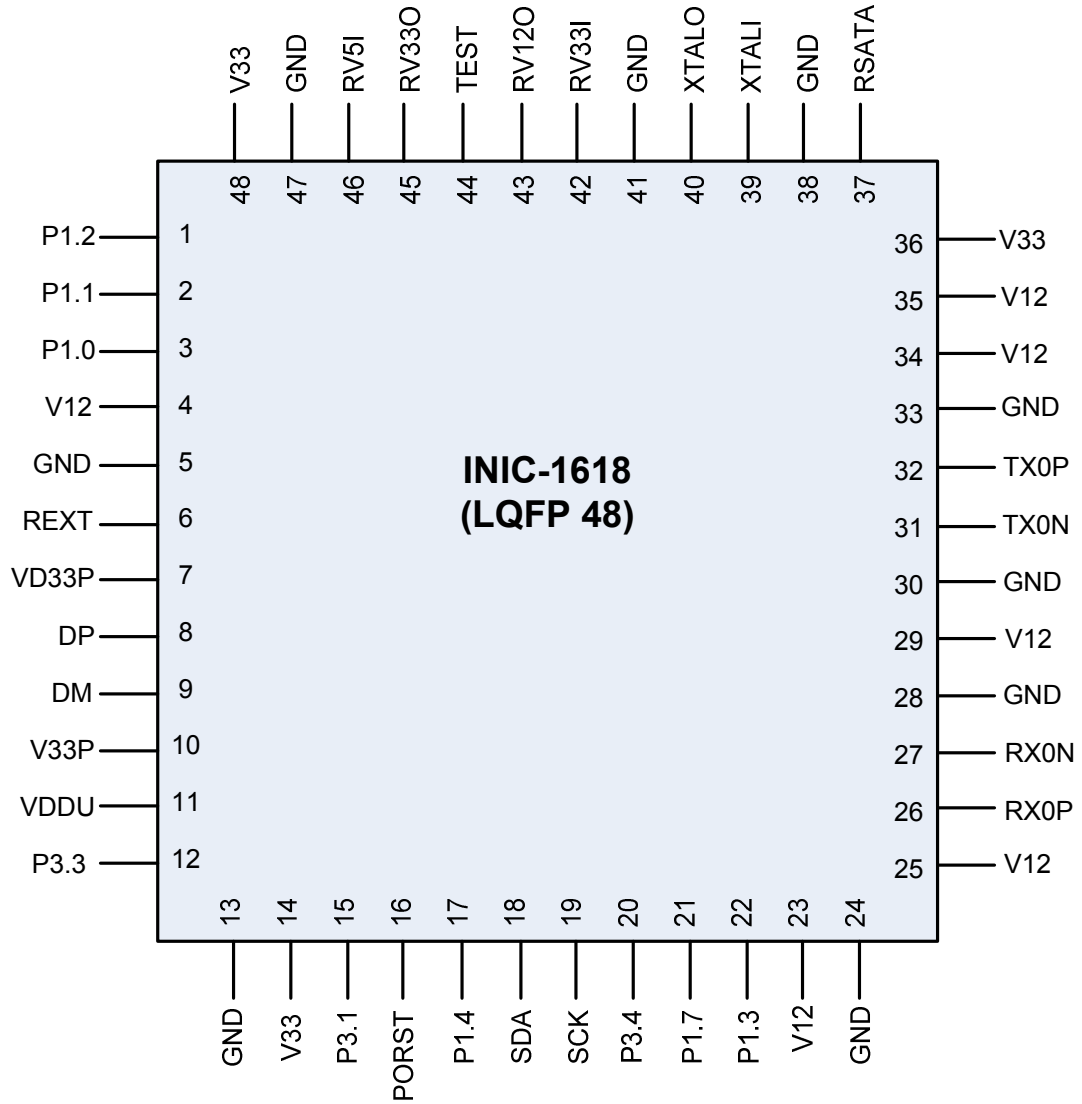


Figure1: USB to SATA Bridge Block Diagram

3 Pin-Out Diagram

3.1 LQFP 48-Pin



3.2 QFN 40-Pin

